

Receiver

 Society
 Reference
 Address
 Phone
 Fax
 E-mail

From

 -
 -
 -

Item n° :

102120162

Model :

K 55/50 M

Pump data
MEI ≥

 Pressure rating : 8 bar (800 kPa)
 Min. fluid temperature : -15 °C
 Max. fluid temperature : 110 °C
 Max. Ambient temperature : 40 °C

Requested data

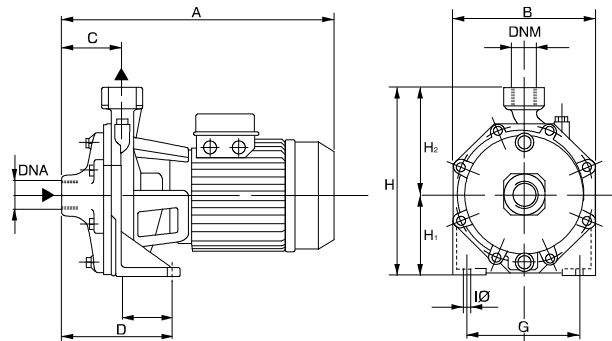
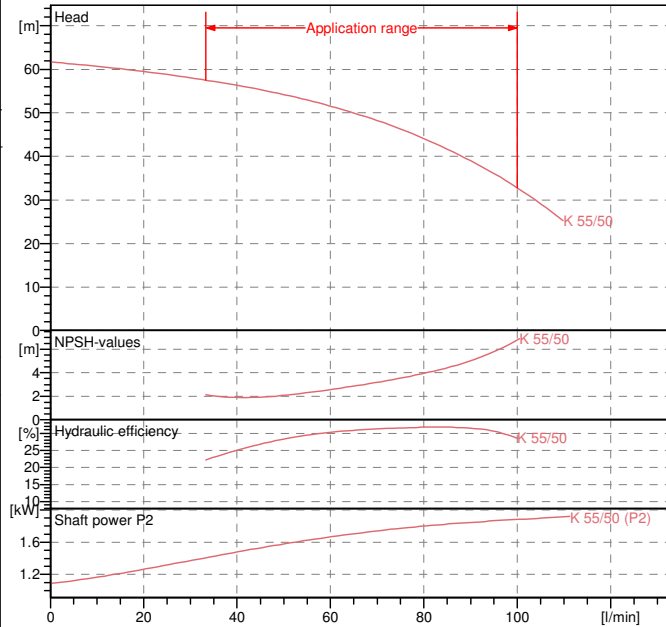
 Flow : 0.00 l/min
 Head : 0.00 m
 Fluid : Water
 Fluid Temperature : 20 °C
 Density : 62.315 lb/ft³
 Kinematic viscosity : 1.0769E-5 ft²/s
 Vapor pressure : 2.20 kPa

Hydraulic data (duty point)

 Flow :
 Head :
 NPSH :
 Shaft power P2 :
 Efficiency :

Materials

 Pump body : Cast iron 200 UNI ISO 185
 Support : Cast iron 200 UNI ISO 185
 Impeller : Technopolymer B
 Mechanical seal : Carbon/Ceramic
 OR ring : NBR Rubber
 Shaft with rotor : AISI 303 X10 CrNiS 1809 UNI 6900/71
 Intermediate cover : Cast iron 200 UNI ISO 185

Curve tolerance according to ISO 9906

Weight : 59.965 lb

Motor data

 Motor brand : DAB
 Nominal power P2 : 1.85 kW
 Rated speed : 2850 rpm
 Rated voltage : 1~ 220-240 V 50 Hz
 Nominal current : 12.8 A
 Degree of protection : IP 44

Dimensions in mm

A	370	IØ	11.5
B	210		
C	75		
D	144		
DNA	1"1/4 G		
DNM	1" G		
E	69		
F	15		
G	165		
H	268		
H1	118		
H2	150		

Pump connection

 Suction side : 1" 1/4 G / 8 bar (800 kPa)
 Discharge side : 1" G / 8 bar (800 kPa)



PERFORMANCE CURVES

2020-04-17

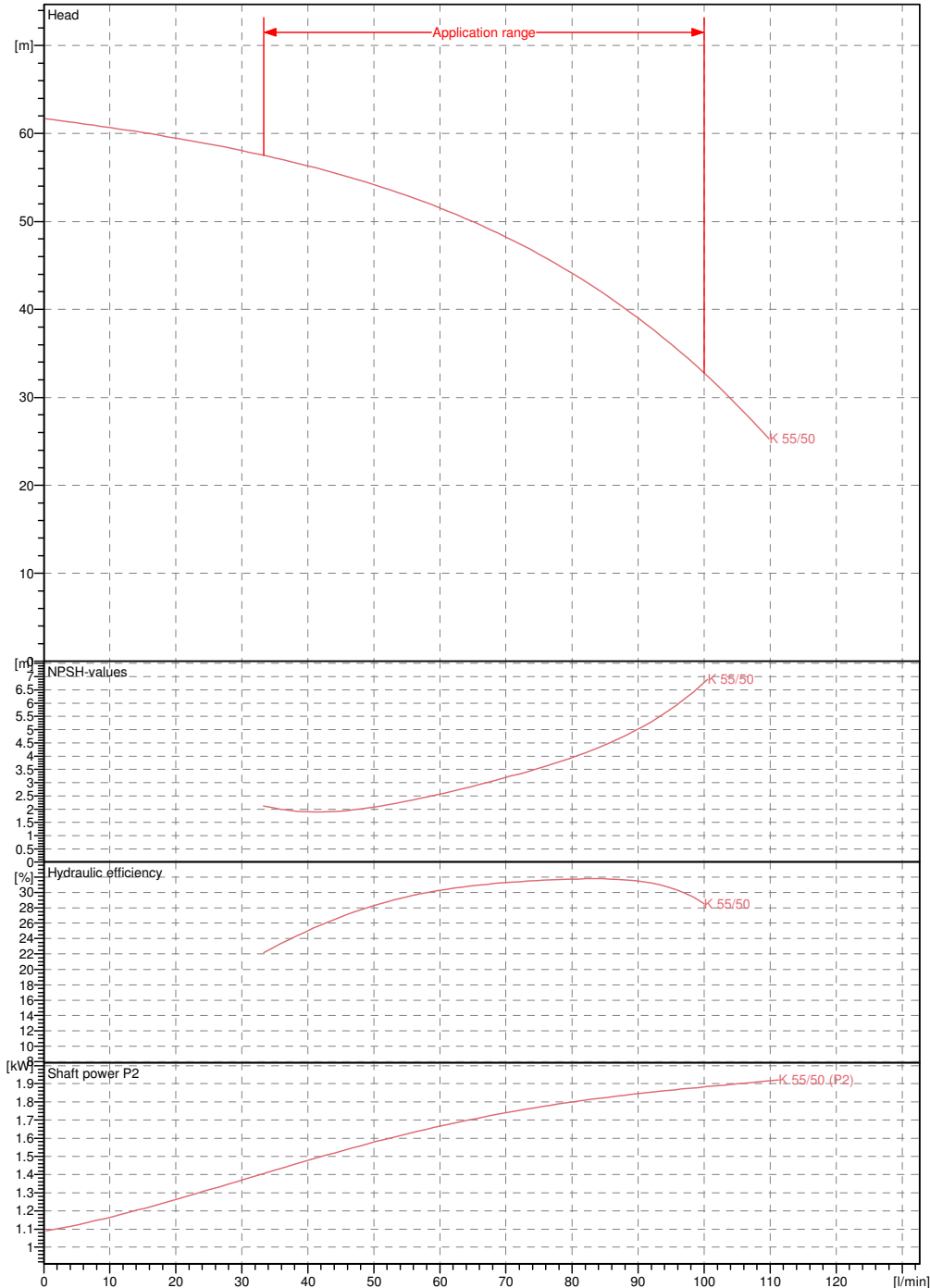
Page 4 / 5

DAB PUMPS S.p.A.
Via Marco Polo, 14 - 35035 Mestrino (PD), Italy
Tel. +39 049 5125000 - Fax +39 049 5125950
www.dabpumps.com

	Receiver	From
Society		-
Reference		-
Address		-
Phone		
Fax		
E-mail		

K 55/50 M

Curve tolerance according to ISO 9906



Hydraulic data (duty point)

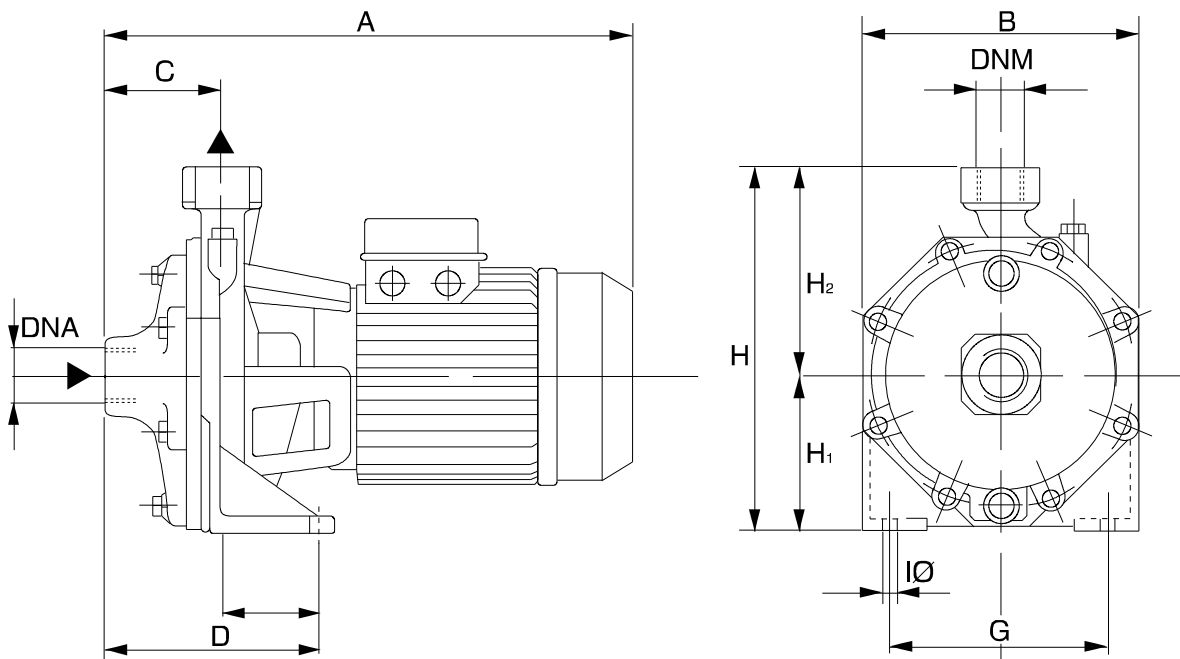
Suction side : 1 " 1/4 G 8 bar (800 kPa)	Discharge side : 1 " G 8 bar (800 kPa)	Flow : 0 l/min	Head : 0 m	Rated speed : 2850 rpm
Project	Project ID	Created by	Created on 2020-04-17	

Receiver

From

Society
 Reference
 Address
 Phone
 Fax
 E-mail

K 55/50 M


Dimensions in mm

1	A	370	H1	118		
2	B	210	H2	150		
3	C	75	Ø	11.5		
4	D	144				
5	DNA	1"1/4 G				
6	DNM	1" G				
7	E	69				
8	F	15				
9	G	165				
10	H	268				

Pump connection

Suction
 1" 1/4 G
 8 bar (800 kPa)

Discharge
 1" G
 8 bar (800 kPa)

Project

Project ID

Created by

Created on

2020-04-17